

# DENTSPLY

## Product Service



## Cavitron® Parts Reference

FOR TECHNICAL SUPPORT / REPAIR ASSISTANCE  
CALL TOLL FREE: 1-800-989-8826  
MONDAY – FRIDAY 8:00AM TO 5:00PM EASTERN TIME  
24-HOUR FAX SUPPORT: (717) 767-8508  
[WWW.DENTSPLYSERVICE.COM](http://WWW.DENTSPLYSERVICE.COM)

Part numbers and availability are subject to change without notice.

## **TERMS AND CONDITIONS OF SALE**

All prices stated are in U.S. Dollars, and are subject to change without notice. All sales are subject to approval and acceptance by DENTSPLY Professional Division and are made F.O.B. shipping point.

Shipments pursuant to purchase orders instructing DENTSPLY *not to insure* will be shipped at your risk.

Shipments pursuant to purchase orders with no insurance instructions will be shipped at your risk.

Safe shipments by motor freight or express made on bills of lading are the responsibility of the transportation company. In the event of loss or damage, claim should be made direct to the transportation company pursuant to instructions in the notice attached to the packing slip.

Minimum order value is \$100.00 U.S.

## **CREDIT INFORMATION**

Distributors will provide a most recent balance sheet, income statement and such other information reasonably required by DENTSPLY to evaluate the credit worthiness of the distributor within fifteen (15) days after receipt of any request for such information from DENTSPLY.

## **ITEMS RETURNED FOR CREDIT, EXCHANGE, SERVICE OR REPAIRS**

DENTSPLY customers desiring to return unused products or parts must receive a **RETURN MATERIALS AUTHORIZATION (RMA)** number from the DENTSPLY Professional Customer Service Department (See phone numbers below) prior to shipment. This RMA number must be referenced in correspondence accompanying the returned products and **noted on the outside of the shipping carton. If products are shipped without an RMA, they will be returned to the customer.**

In addition, the following terms and conditions apply to all returns:

1. All products returned for credit or exchange must be of **current design in the original, unopened, sealed package** and in sellable condition. Damaged, opened, outdated, obsolete, used or "demo" products, or products and parts purchased more than 6 months prior to the current date are not returnable for credit or exchange. Pharmaceutical products are not returnable except for credit in the unlikely event of a product defect or shipping error.
2. A copy of the original invoice must accompany all product returns for credit or exchange. Products returned must include DENTSPLY customer number, RMA, billing name, address, phone number, a copy of the original invoice, lot numbers, product descriptions, and reason for return.
3. Any credit applied will be based on the original invoice price.
4. Subject to the above, products returned are subject to a minimum 20% restocking charge. Products will not be accepted for return credit or exchange beyond 6 months from the original invoice date.
5. Final approval for replacement or credit is at the sole discretion of DENTSPLY Professional.
6. Transportation charges both ways must be paid by the customer or distributor on products, parts or accessories returned for credit or exchange, regardless of the warranty period.
7. Any parts or products which fail in service more than 30 days after date of installation will be repaired and returned in accordance with the terms of the product warranty. If a product fails after 30 days it should be returned to DENTSPLY Professional for repair.
8. All authorized returns for credit, exchange or repairs, **MUST be shipped to the appropriate address below.** Items sent to any other destination will be subject to additional freight charges.
9. No credit will be issued for expired products.

DENTSPLY Professional Division  
Attn: RMA# \_\_\_\_\_  
1301 Smile Way  
York, PA 17404  
800-989-8826

## **TERMS OF SETTLEMENT**

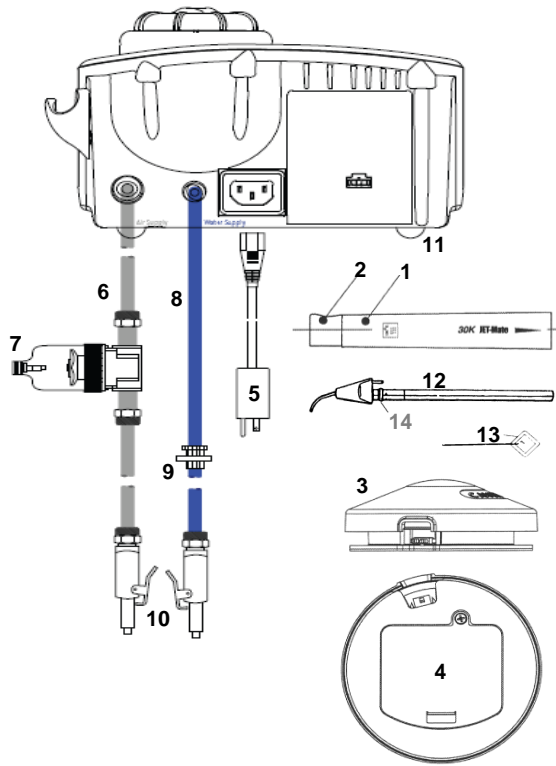
Statements are rendered monthly and payment in full in U.S. funds is due within 30 days of date of invoice at the customers assigned address: DENTSPLY International Inc, Dept. DNA, P.O. Box 822462, Philadelphia, PA 19182-2642 or DENTSPLY International Inc, Dept. DNA, P.O. Box 536935, Atlanta, GA 30353-6935 or DENTSPLY International Inc, Dept. DNA, P.O. Box 31001-1205, Pasadena, CA 91110-1205. If payment has not been received by the 30th day, a monthly service charge of 1½% will be charged to the account. All payments will be applied against the oldest balance first, and then any excess will be applied to the current month balance. All invoices reflect a 2.5% discount for timely (check or wire) payments. Payments made by credit card will be charged the full amount due.

*All orders accepted for future delivery will be billed at prices prevailing on date of shipment.*

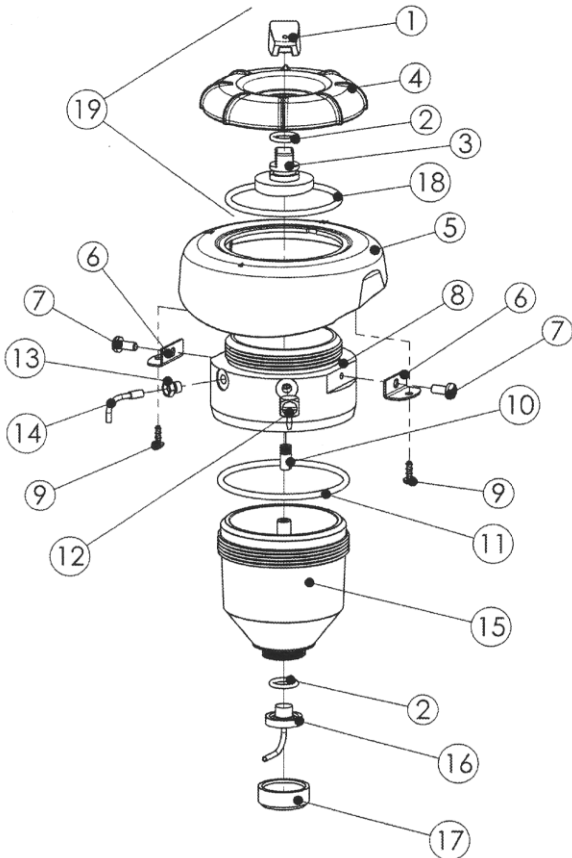
*Products made up of multiple components must remain intact until delivered to the dental office or laboratory.*

# Cavitron® JET Plus™ - Model G132

## A: Accessory Items



## B: Powder Chamber



## Common Parts:

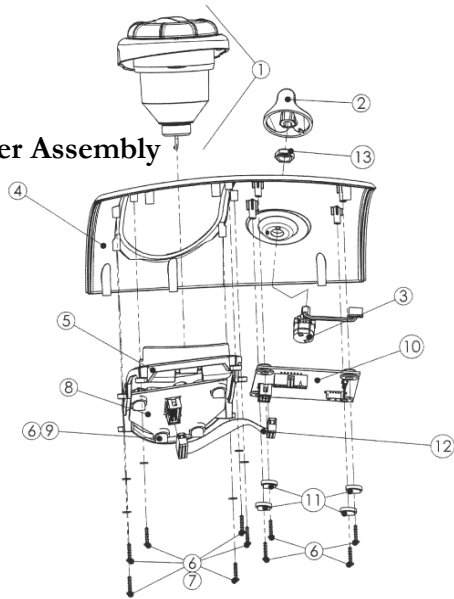
REF.	DESCRIPTION	PART #
A1	Jet-Mate Detachable Handpiece (Autoclavable)	8170201
	Jet-Mate Detachable Handpiece (Autoclavable) 3-Pack	8170203
A2	Jet-Mate Handpiece Nozzle Grip	81717
A3	Wireless Foot Control w/ Boost Feature	81674
A4	Foot Control Battery Door / Screw Kit	81680
	Auxiliary Foot Control Cable	81663
B19	Replacement Fill Cap for Powder Bowl	81728
B18	O-ring for Fill Cap	628052001
B15	Replacement Powder Bowl	81174
B11	O-ring for Powder Bowl	60384
B16	L-Nozzle Fitting for Powder Bowl	81711
B2	O-ring for L-Nozzle Fitting	628052002
B10	Threaded Filter for Chamber Housing (Metallic)	60382
C1	Powder Chamber Assembly, Complete	81708
A5	Power Cord 120/100V (US)	554102003
	Power Cord 230/200V	78118
	Power Cord 230V (UK)	554109001
A6	Air Supply Line Assembly	81721
A7	Air Supply Line Filter Assembly	90088
	Air Supply Filter Wall Mounting Kit	90080
A8	Water Supply Line Assembly <i>Includes blue tubing, water filter, and 1/4" quick disconnect</i>	90125
A9	Replacement Water Filters (10-pack)	90158
A10	Quick Disconnect (1/4", auto shut-off)	79521
C2	Replacement Control Knob (Blue)	80502
A11	Replacement Rubber Foot	592051001
A12	Prophy-Jet Air Polishing Nozzle Insert (3 pack)	7760204
	Prophy-Jet Air Polishing Nozzle Insert (single)	63740
A13	Prophy-Jet Nozzle Cleaning Tool	776030199
	O-ring Replacement Kit, Cavitron Inserts (Black,12-pack)	62351
A14	O-ring Replacement Kit, Cavitron Inserts (Green,12-pack)	62605
	O-ring for SteriMate / JETMate Handpiece Conn. (12-pack)	79357

The following repair parts are available to authorized service centers only:

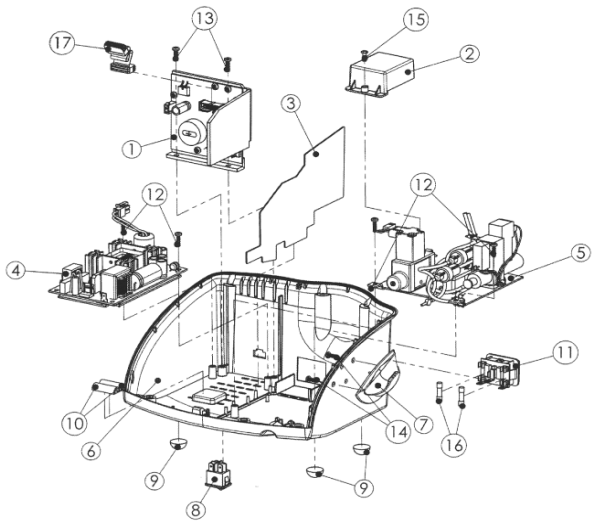
REF.	DESCRIPTION	PART #
A	Handpiece Cable, Black	81718
A3	Foot Control Pad - Bottom	81681
B5	Bowl Mount Skirt	81634
B6	L-shape Brackets	81710
B7	Screw, #6-32 x 3/8" Machine Screw	60898
B8	Powder Bowl Housing	81712
B9	Screw, #4-24 x 5/16" Hi-Lo Torx Phillips	586172001
B12	1/16" Barb Elbow Fitting	623071001
B13	Bushing	80668
B14	Powder Bent Tube	80672
B17	Knurl Nut	60379
C3	Potentiometer Switch and Harness	81638
C4	Cover, Decorated	81704
C5	Molded Overlay & Label, Info Center	81707

# Cavitron® JET Plus™ - Model G132 (continued)

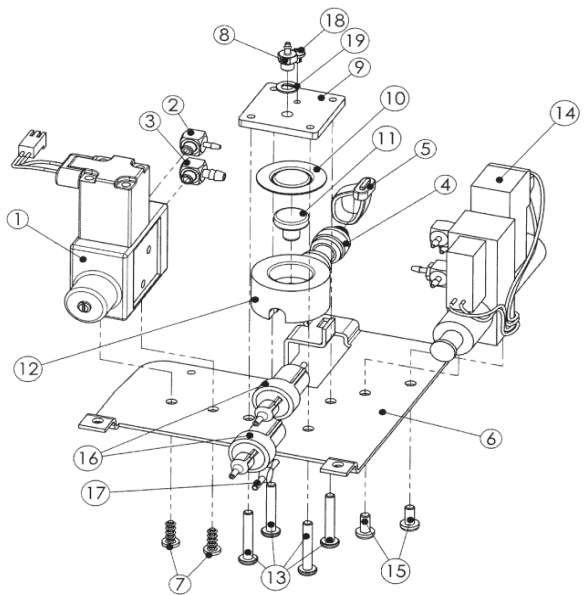
## C: Cover Assembly



## D: Generator Assembly



## E: Air / Water Chassis

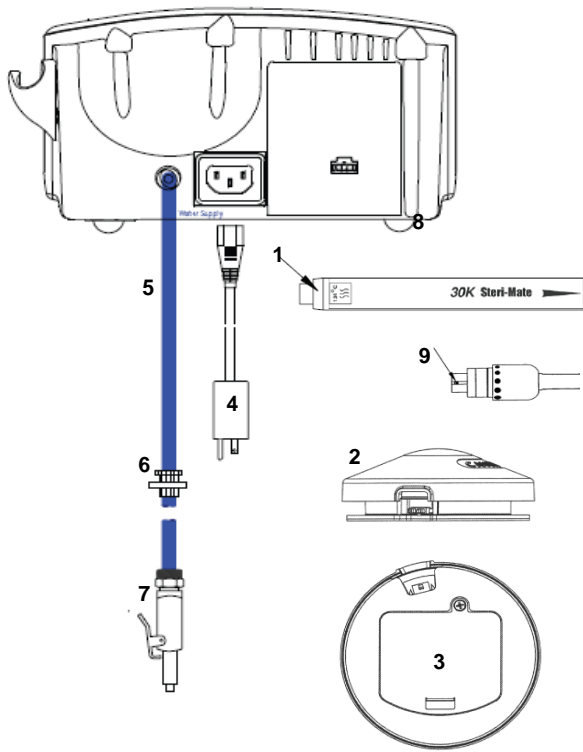


REF.	DESCRIPTION	PART #
C6	Screw, #4-24 x 1/2" Hi-Lo	586172002
C7	Washers	62970
C8	Info Center PC Board	81642
C8	Cover Protective - Info Center	81720
C9	Leveling Washers, Info Center	81636-2
C10	Main Controller PC Board	81639
C11	Leveling Washers, Main Controller	81636-1
C13	Shaft Seal / Nut	592056001
D1	Power Drive PCB Bracket Assembly	81651
D2	Protective Cover - Power Entry	81635
D3	Baffle, Electrical Protection	81665
D4	24V Power Supply Assembly *	81661-1
D5	Air/Water Chassis Assembly	81713
D6	Decorated Base	81623
D7	Handpiece Holder	81632
D8	Rocker Switch, Snap In	565179001
D10	D-section Seal, 1 inch	592055001
D11	Power Entry Module	568270002
D12	Screw, #6 x 1/2" Hi-Lo Torx, Pan	586172005
D13	Screw, #8-18 x 1/2" Hi-Lo Torx, Pan	586172003
D14	Screw, #6-19 x 3/8" Hi-Lo PPH	586174003
D15	Screw, #6-32 x 3/8" PH, Pan	62857
D17	4" Ribbon Cable	81645
D16	Fuse	557034018
D	Fuse Label	81662
D	Air/Water Supply Label	81682
E1	Water Regulator w / Fittings, Replacement Kit	81673
E1	Water Regulator / Solenoid Valve Assembly	629205003
E2	1/16" Elbow Fitting	623071001
E3	1/8" Elbow Fitting	623071004
E4	Straight Union Fitting	623072001
E5	Plastic Cable Tie	712-00004
E6	Mounting Bracket	81647
E8	Straight Fitting, 1/16 Barb x 10-32	61679
E9	Pinch Plate	81730
E10	Dynamic Seal	26109
E11	Piston	26105
E12	Pinch Cylinder	80688
E13	Screw, #6-32 x 7/8" Phillips	586009169
E14	Air Manifold Assembly	81714
E15	Screw, #6-32 x 5/16" Phillips	586133181
E16	Duckbill Filter Assembly	60367
E17	"Y" connector	60245
E18	Pressure Relief Screw	586161002
E19	Washer, Fiber	60386
	Clear Tubing, Per Foot	61693
	Red Tubing, Per Foot	61631
	Gray Tubing, Per Foot	625036010
	Yellow Tubing, Per Foot	625036012
	Nylon Cable Ties	60366
	Wire Harness, Switch to Power Supply (Meanwell) *	81648-1
	Wire Harness, Power Entry to Switch (Meanwell) *	81649-1
	Foam Seal, Power LED	592059001
	Directions For Use	81723
	Service Manual	81729

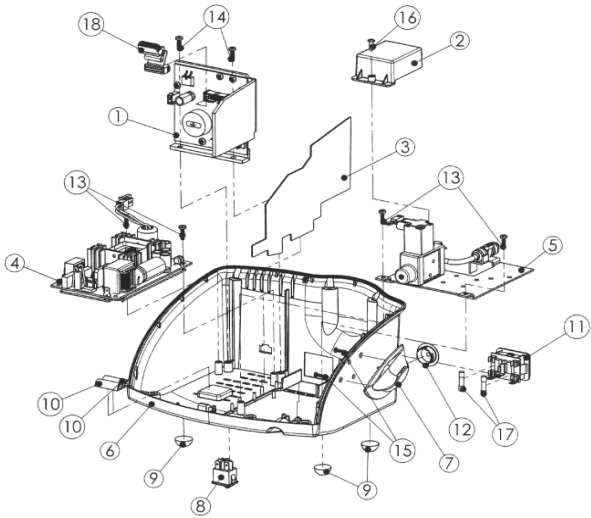
\* NOTE: When replacing p/n #81661-1 24V Power Supply Assembly, be advised to also order #81648-1 and #81649-1 Wire Harness assemblies when upgrading the power supply to the current Meanwell configuration.

# Cavitron® Plus™ Scaler - Model G131

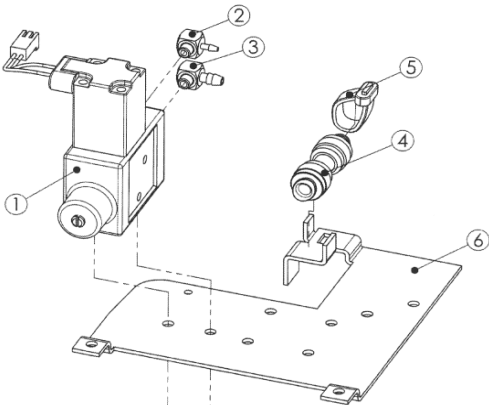
## A: Accessory Items



## B: Generator Assembly



## C: Water Chassis



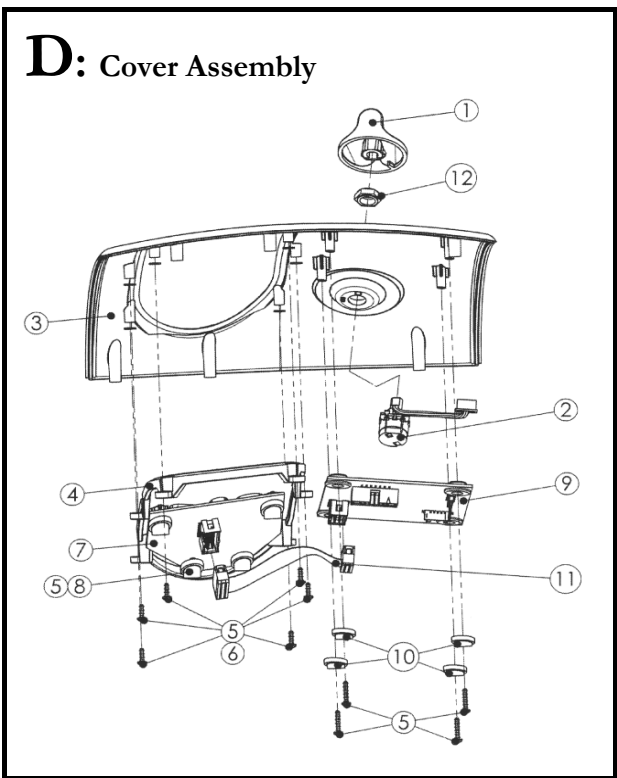
## Common Parts:

REF.	DESCRIPTION	PART #
A1	Steri-Mate Detachable Handpiece (Autoclavable)	78688
	3-Pack Steri-Mate Detachable Handpiece	78703
	Steri-Mate Comfort Grip (3-pack), Blue	8169201
	Steri-Mate Comfort Grip (3-pack), Fuschia	8169202
	Steri-Mate Comfort Grip (3-pack), Violet	8169203
A2	Wireless Foot Control w/ Boost Feature	81674
A3	Foot Control Battery Door / Screw Kit	81680
	Auxiliary Foot Control Cable	81663
A4	Power Cord 120/100V (US)	554102003
	Power Cord 230/200V	78118
	Power Cord 230V (UK)	554109001
A5	Water Supply Line Assembly <i>Includes blue tubing, water filter, and 1/4" quick disconnect</i>	90125
A6	Replacement Water Filters (10-pack)	90158
A7	Quick Disconnect (1/4", auto shut-off)	79521
D1	Replacement Control Knob (Blue)	80502
A8	Replacement Rubber Foot	592051001
	O-ring Replacement Kit, Cavitron Inserts (Black,12-pack)	62351
	O-ring Replacement Kit, Cavitron Inserts (Green,12-pack)	62605
A9	O-ring for SteriMate / JETMate Handpiece Conn. (12-pack)	79357

The following repair parts are available to authorized service centers only:

REF.	DESCRIPTION	PART #
A	Handpiece Cable, Black	81657
A2	Foot Control Pad - Bottom	81681
B1	Power Drive PCB Bracket Assembly	81651
B2	Protective Cover - Power Entry	81635
B3	Baffle, Electrical Protection	81665
B4	24V Power Supply Assembly *	81661-1
B5	Water Chassis Assembly	81646
B6	Decorated Base	81623
B7	Handpiece Holder	81632
B8	Rocker Switch, Snap In	565179001
B10	D-section Seal, 1 inch	592055001
B11	Power Entry Module	568270002
B12	Cap, Vinyl, Air	608020001
B13	Screw, #6 x 1/2" Hi-Lo Torx, Pan	586172005
B14	Screw, #8-18 x 1/2" Hi-Lo Torx, Pan	586172003
B15	Screw, #6-19 x 3/8" Hi-Lo PPH	586174003
B16	Screw, #6-32 x 3/8" PH, Pan	62857
B17	Fuse	557034018
B18	4" Ribbon Cable	81645
B	Fuse Label	81662
B	Water Supply Label	90176
C1	Water Regulator / Solenoid Valve Assembly	629205003

# Cavitron® Plus™ Scaler - Model G131 (continued)

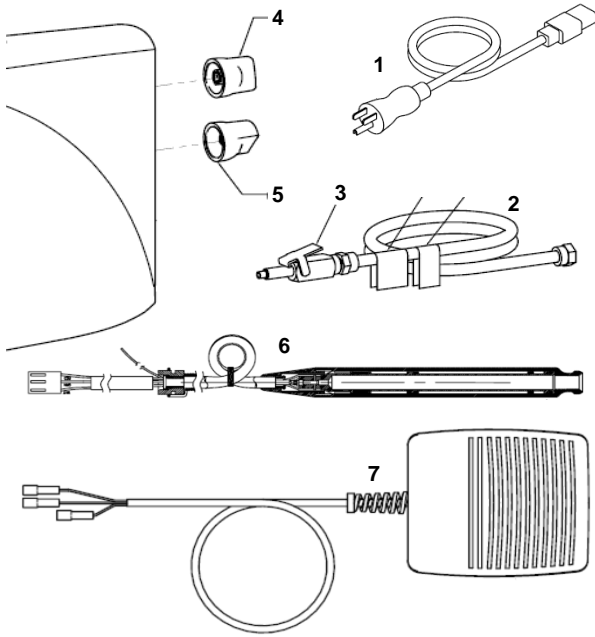


REF.	DESCRIPTION	PART #
C4	Straight Union Fitting	623072001
C5	Plastic Cable Tie	712-00004
C6	Mounting Bracket	81647
D2	Potentiometer Switch and Harness	81638
D3	Cover, Decorated	81624
D4	Molded Overlay & Label, Info Center	81627
D5	Screw, #4-24 x 1/2" Hi-Lo	586172002
D6	Upgrade Kit	62970
D7	Info Center PC Board	81642
D8	Leveling Washers, Info Center	81636-2
D9	Main Controller PC Board	81639
D10	Leveling Washers, Main Controller	81636-1
D12	Shaft Seal / Nut	592056001
	Wire Harness, Switch to Power Supply (Meanwell) *	81648-1
	Wire Harness, Power Entry to Switch (Meanwell) *	81649-1
	Foam Seal, Power LED	592059001
	Directions For Use	81667
	Service Manual	81669

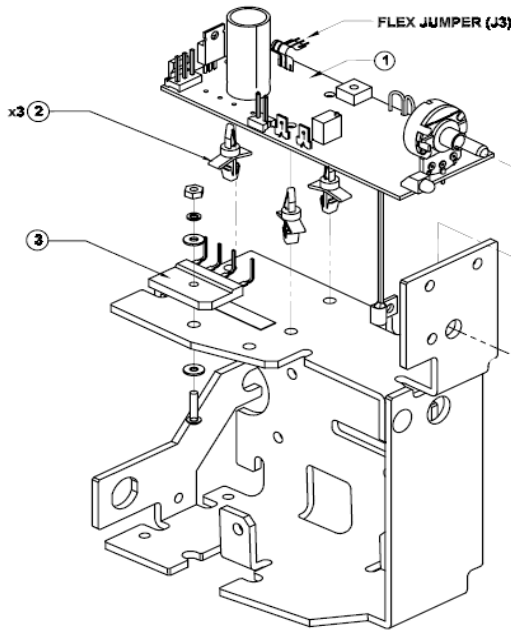
\* NOTE: When replacing p/n #81661-1 24V Power Supply Assembly, be advised to also order #81648-1 and #81649-1 Wire Harness assemblies when upgrading the power supply to the current Meanwell configuration.

# Cavitron® BOBCAT® Pro - Model G130

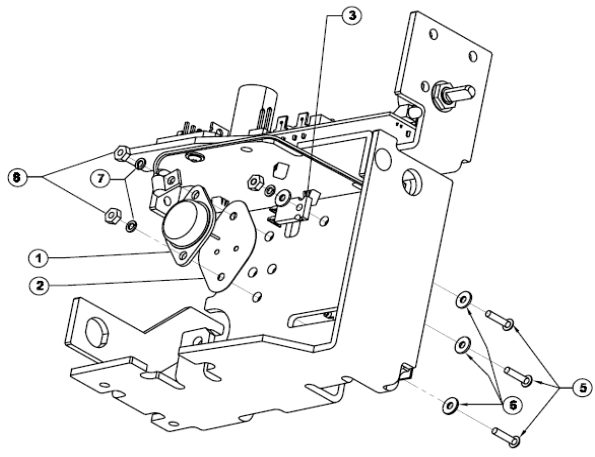
## A: Accessory Items



## B: PCB Mount



## C: Darlington Mount



## Common Parts:

REF.	DESCRIPTION	PART #
A1	Power Cord 120/100V (US)	554102003
	Power Cord 230/200V	78118
	Power Cord 230V (UK)	554109001
A2	Water Supply Line Replacement <i>Includes blue tubing, compression nut, and labels</i>	60388
A3	Quick Disconnect (1/4", auto shut-off)	90158
A4	Replacement Control Knob (Power)	79521
A5	Replacement Control Knob (Water)	80502
	Replacement Rubber Foot	700-00026
	O-ring Replacement Kit, Cavitron Inserts (Black,12-pack)	62351
	O-ring Replacement Kit, Cavitron Inserts (Green,12-pack)	62605

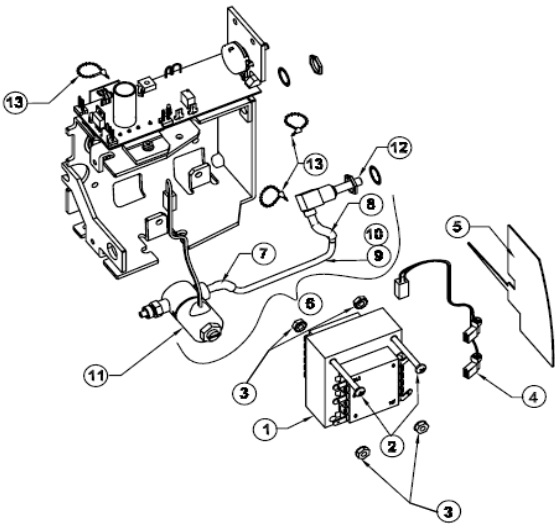
The following repair parts are available to authorized service centers only:

REF.	DESCRIPTION	PART #
A6	Handpiece Assembly	81214
A7	Footswitch Assembly	565162006

B1	Oscillator Module PC Board Assembly	81228
B2	Support, Locking PC Board	594081003
B3	Bridge Rectifier	574332001
C	Hardware Kit - Darlington, Resistor, Bridge	81259
C1	Darlington Transistor	574335001
C2	Silpad Insulator	61350
C3	Power Resistor, 1/2 Ohm, 5%	574327001
	PCB, Darlington Mount	81231
	Insulator, Power Transistor	561028001
	Jumper, Flexible	554114001
D1	Transformer, 100/115 Volts	60491
	Transformer, 220/240 Volts	60535
	Transformer, 200/230 Volts	570253001
D2	Screws, Phillips, 8-32x1.5"	42427
D3	Nut, Keps, #8-32	587091001
D4	Cable Assembly, Sec. Transformer	77818
D5	Barrier, Plastic	81248
D6	Lavage Assembly	81225
D9	Blue Tubing, Water - 7.5" (Sold Per Ft.)	81282
D10	Black Tubing, PVC	62400
D11	Water Solenoid Valve Assembly	81258
D12	Water Needle Valve	81257
D13	Nylon Cable Tie	60366
	Screw, Hi-Lo, #8x1/2 Torx	586172003
	Strain Relief, Footswitch Cable	562099001
	Wire Assembly, Black, Switch / Transformer	81244
	Wire Assembly, White, Switch / Transformer	81245
	Tubing, Heat Shrink - 3"	625076003

# Cavitron® BOBCAT® Pro - Model G130 (continued)

## D: Transformer Mount

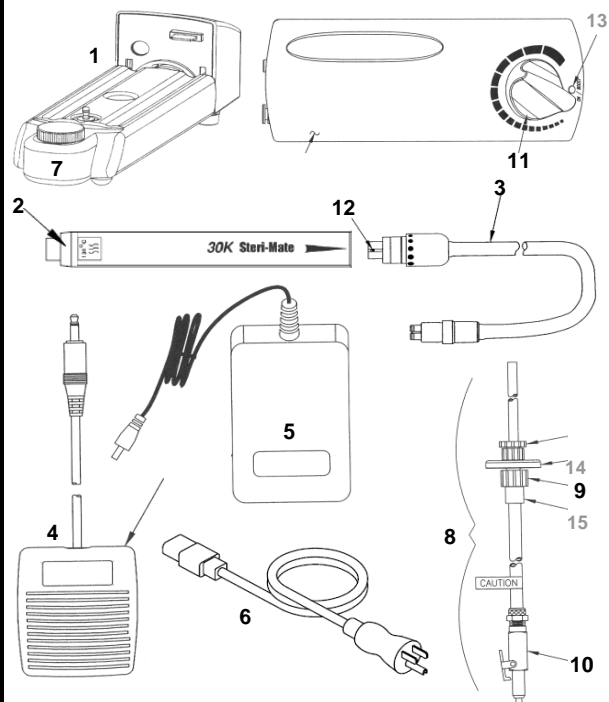


REF.	DESCRIPTION	PART #
	Fast-on Tab	569215001
	Screw, #6, Sems Philips Pan	60898
	Nut, Keps, #6-32	587091002
	Ground Wire Assembly, Chassis / Back Panel	80730
	Back Panel	81241
	Power Switch	565179001
	Cover, Power Switch	565182001
	Module, Power Entry	568270002
	Screw, Button Head Cap, #8 - 32x3/8"	586159001
	Wire Assembly, Black, Switch / Power In	81242
	Wire Assembly, White, Switch / Power In	81243
	Cabinet, Decorated, w/ Bumpers	81227
	Label, Front Panel	81235
	Spring, Strain Relief	81234
	Fuse, 1.25A, 250V, Slow Blow	557034018
	Fuse, 630 mA, 250V, Slow Blow	60537
	Nut and Sleeve Assembly	60389
	Directions For Use	81238
	Service Manual	81239



# 30K Cavitron® Select™ SPST™ - Model G124

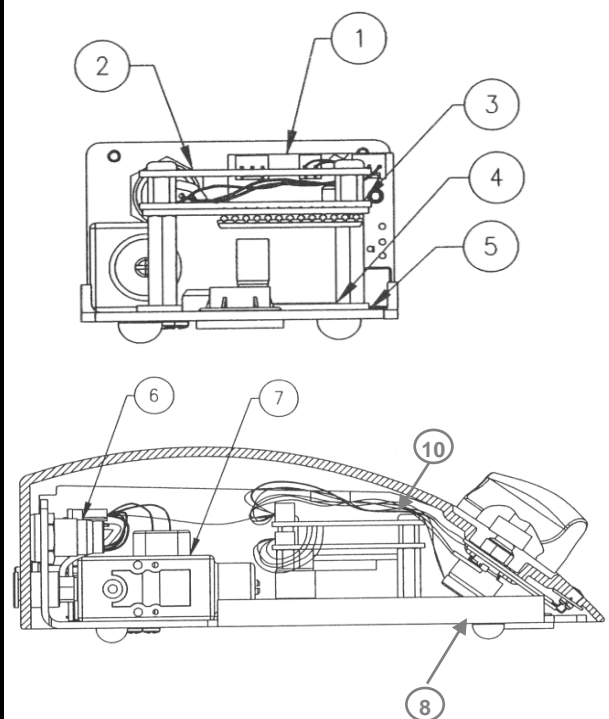
## A: Accessory Items



## Common Parts:

REF.	DESCRIPTION	PART #
A1	Cavitron Select Reservoir Pump (Bottle included)	90146
A2	Steri-Mate Detachable Handpiece (Autoclavable)	78688
	3-Pack Steri-Mate Detachable Handpiece	78703
	Steri-Mate Comfort Grip (3-pack), Blue	8169201
	Steri-Mate Comfort Grip (3-pack), Fuschia	8169202
	Steri-Mate Comfort Grip (3-pack), Violet	8169203
A2-3	Select SPS Swivel Handpiece Cable Upgrade w/ SteriMate	81272
A3	Handpiece Cable w/ Water Flow Control & Swivel Connector	81277
A4	Foot Control w/ Boost Feature	565162005
A5	Power Supply Module (100-240VAC 1.0A / 30VDC 2A)	674022001
A6	Power Cord 120/100V (US)	554102003
	Power Cord 230/200V	78118
	Power Cord 230V (UK)	554109001
A7	Select Reservoir Bottle Replacement	90148
	Spare O-ring Kit (Select Reservoir Pump)	90157
	Replacement Filter Plug (Select Reservoir Pump)	631030001
A8	Water Supply Line Assembly <i>Includes blue tubing, water filter, and 1/4" quick disconnect</i>	90125
A9	Replacement Water Filters (10-pack)	90158
A10	Quick Disconnect (1/4", auto shut-off)	79521
A11	Replacement Control Knob (Blue)	80502
	Replacement Rubber Foot	592051003
	O-ring Replacement Kit, Cavitron Inserts (Black,12-pack)	62351
	O-ring Replacement Kit, Cavitron Inserts (Green,12-pack)	62605
A12	O-ring for SteriMate / JETMate Handpiece Conn. (12-pack)	79357

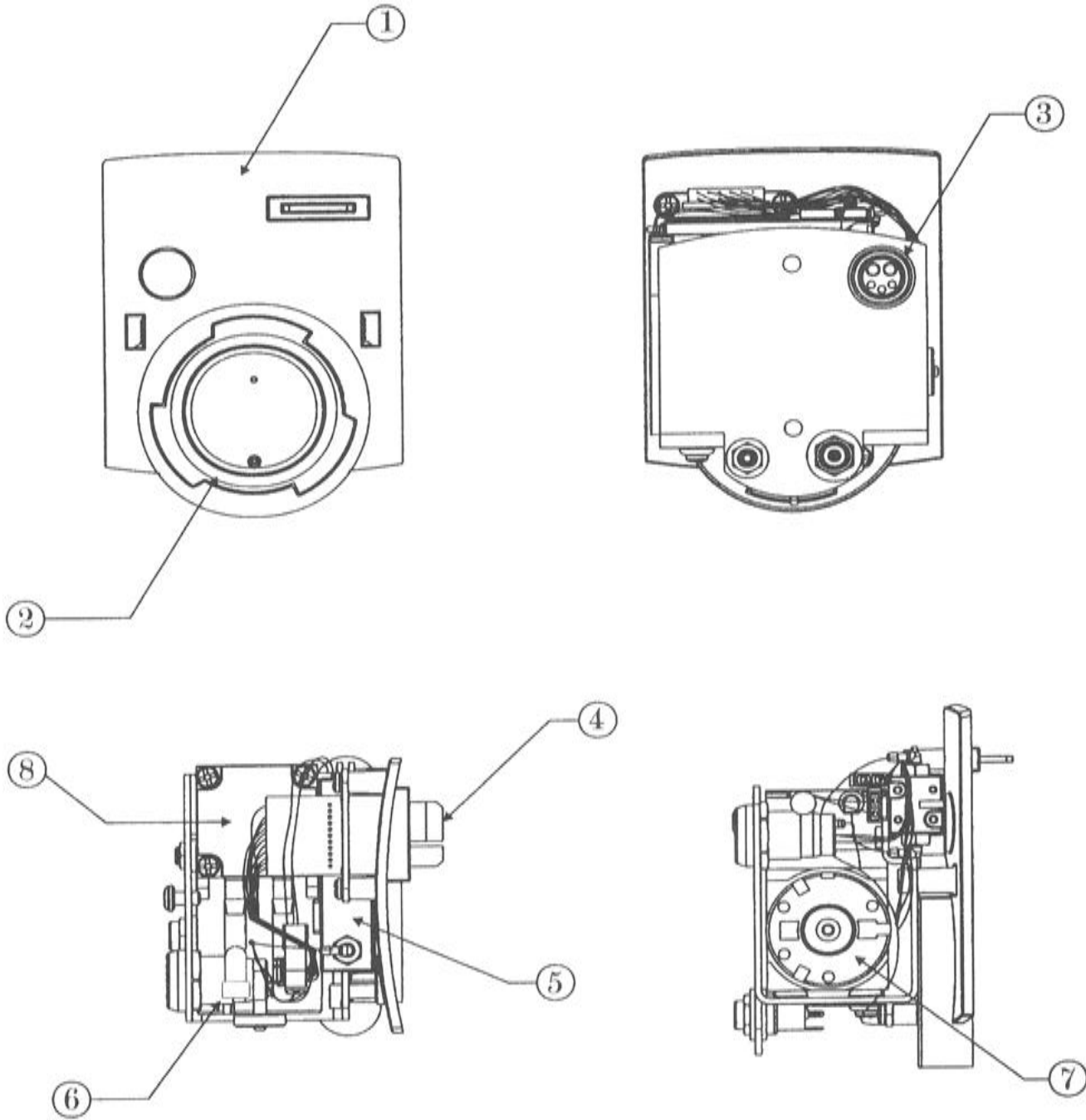
## B: Base Assembly



The following repair parts are available to authorized service centers only:

REF.	DESCRIPTION	PART #
B10	Cover Assembly w/ Pot-Switch and Knob	90277
B10	Cover, Decorated	90278
A13	Lens, LED Clear	566083002
	Catch Nylon, Reservoir	585022001
	Receptacle Label, Pump	90162
B1	Interface PC Board Assembly	90296
B2	Universal PCB Assembly	81020-1
B4	Power Drive PCB Assembly	90372
B5	Pad, PCB - Sil-Pad	574247005
B6	Handpiece Receptacle Cable Harness	90139
B7	Water Regulator/Solenoid Assembly	629205001
B8	Power Pot-Switch and Wire Harness Assembly	90291
A14	Luer, Male	621066001
A15	Luer, Female	621065001
	Water Filter, Single	631031001
	Standoff	594002020
	Screw, Standoff	62857
	Standoff, Small	594085001
	Directions For Use	90295
	Service Manual	90289

# Cavitron® Select™ Reservoir Pump - Model G123

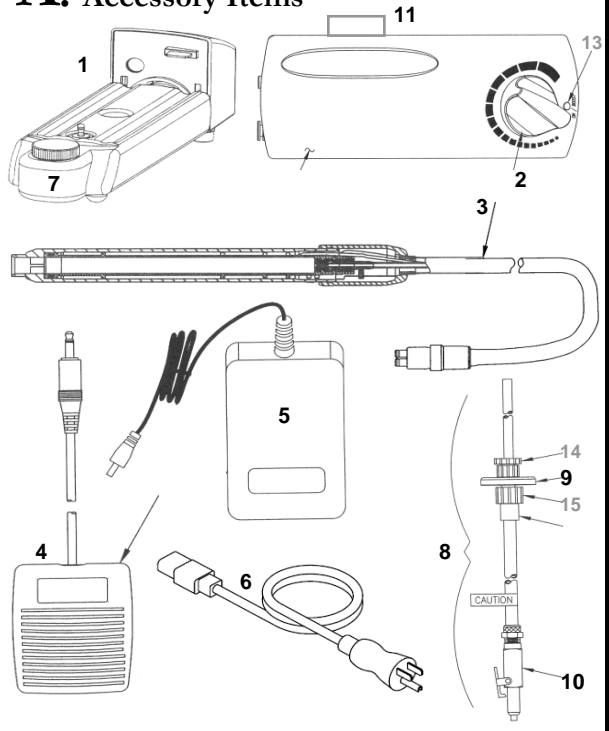


## CAVITRON® SELECT™ RESERVOIR PUMP ASSEMBLY

Item	Qty.	Commodity No.	Description
1	1	90123	Interface, Pump
2	1	628001230	O-Ring, Reservoir
3	1	568279001	HP Connector
4	1	90105	Interface PCB Assy.
5	1	629204001	Isolation Valve
6	1	631030001	Filter, Plug Porous
7	1	577025001	Air Pump, 15 PSIG.
	1 Ft.	61693	Tubing, Clear .062 ID
8	1	90168	Wire Harness

# 25K Cavitron® Select™ Scaler - Model G121

## A: Accessory Items



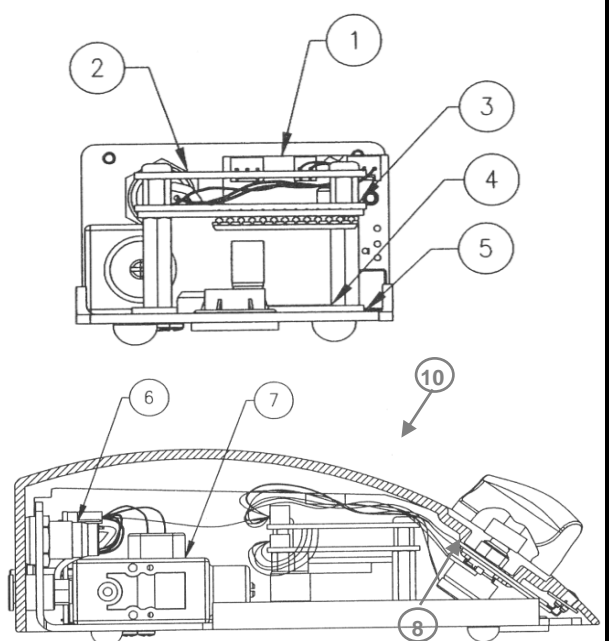
## Common Parts:

REF.	DESCRIPTION	PART #
A1	Cavitron Select Reservoir Pump (Bottle included)	90146
A3	Handpiece Cable w/ Water Flow Control	90188
A4	Foot Control w/ Boost Feature	565162002
A5	Power Supply Module (100-240VAC 1.0A / 30VDC 2A)	674022001
A6	Power Cord 120/100V (US)	554102003
	Power Cord 230/200V	78118
	Power Cord 230V (UK)	554109001
A7	Select Reservoir Bottle Replacement	90148
	Spare O-ring Kit (Select Reservoir Pump)	90157
	Replacement Filter Plug (Select Reservoir Pump)	631030001
A8	Water Supply Line Assembly <i>Includes blue tubing, water filter, and 1/4" quick disconnect</i>	90125
A9	Replacement Water Filters (10-pack)	90158
A10	Quick Disconnect (1/4", auto shut-off)	79521
A2	Replacement Control Knob (Blue)	80502
	Replacement Rubber Foot	592051003
	O-ring Replacement Kit, Cavitron Inserts (Black,12-pack)	62351
	O-ring Replacement Kit, Cavitron Inserts (Green,12-pack)	62605

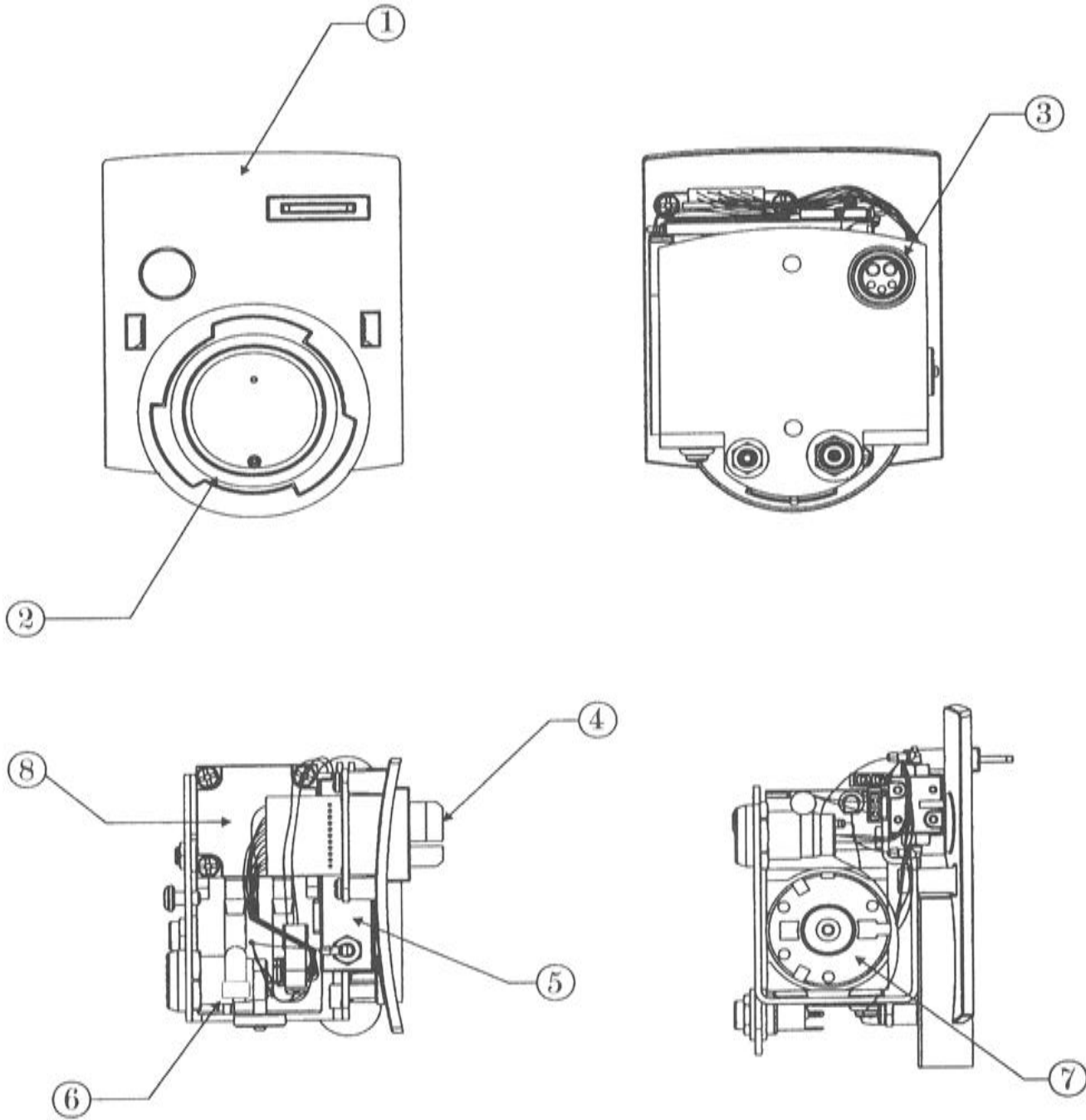
The following repair parts are available to authorized service centers only:

REF.	DESCRIPTION	PART #
B10	Cover, Decorated	90145
A13	Lens, LED Clear	566083001
	Catch Nylon, Reservoir	585022001
	Receptacle Label, Pump	90162
B1	Interface PC Board Assembly	90102
B2	Universal PCB Assembly	81020-2
B4	Power Drive PCB Assembly	90372
B5	Pad, PCB - Sil-Pad	574247005
B6	Handpiece Receptacle Cable Harness	90139
B7	Water Regulator/Solenoid Assembly	629205001
B8	Power Pot-Switch and Wire Harness Assembly	90140
A14	Luer, Male	621066001
A15	Luer, Female	621065001
	Water Filter, Single	631031001
	Screw, Cover	62534
	Screw, Bottom	586172002
A11	Handpiece Holder	776030149
	Screw, Handpiece Holder	62534
	Washer, Handpiece Holder	62970
	O-ring, Handpiece Receptacle	776030267
	Clear Tubing (ft)	61693
	Standoff, Large	594002020
	Screw, Standoff	62857
	Standoff, Small	594085001
	Directions For Use	90127
	Service Manual	90164

## B: Base Assembly



# Cavitron® Select™ Reservoir Pump - Model G123

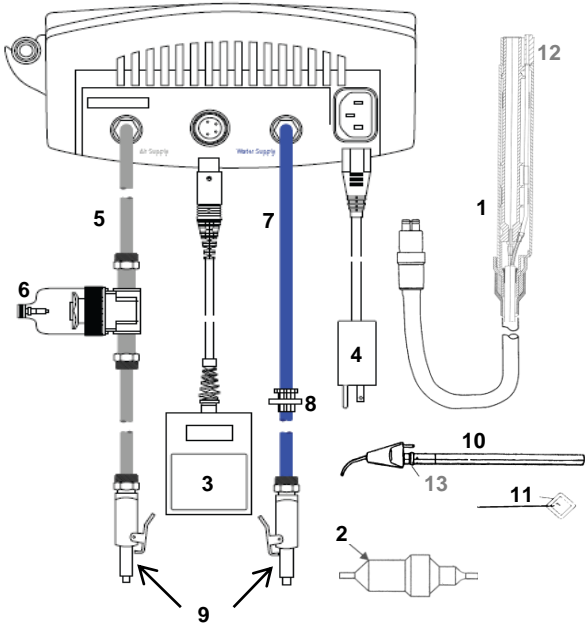


## CAVITRON® SELECT™ RESERVOIR PUMP ASSEMBLY

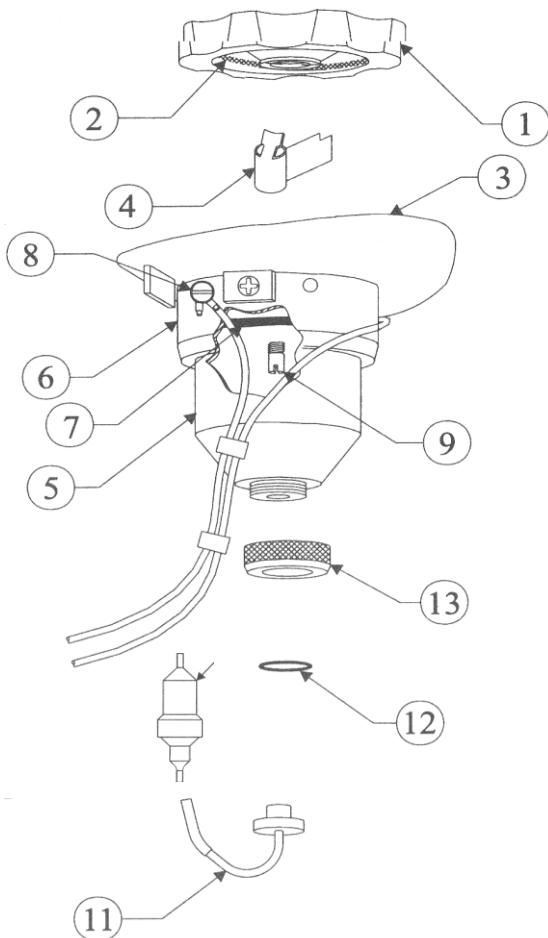
Item	Qty.	Commodity No.	Description
1	1	90123	Interface, Pump
2	1	628001230	O-Ring, Reservoir
3	1	568279001	HP Connector
4	1	90105	Interface PCB Assy.
5	1	629204001	Isolation Valve
6	1	631030001	Filter, Plug Porous
7	1	577025001	Air Pump, 15 PSIG.
	1 Ft.	61693	Tubing, Clear .062 ID
8	1	90168	Wire Harness

# Cavitron® Prophy-JET® Air Polishing System - Model G122

## A: Accessory Items



## B: Powder Chamber



## Common Parts:

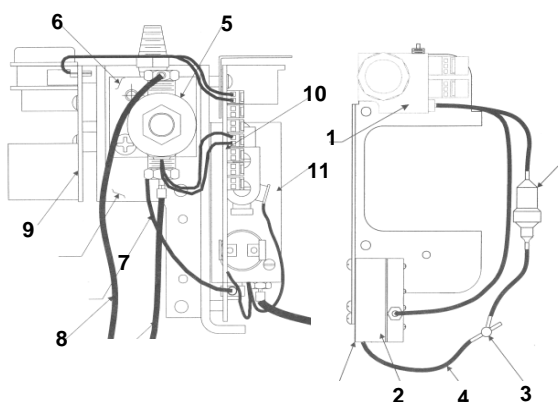
REF.	DESCRIPTION	PART #
A1	Handpiece and Cable Assembly	80886
B1	Replacement Powder Fill Cap	90073
B2	O-ring for Fill Cap	628052001
B5	Replacement Powder Bowl	81174
B7	O-ring for Powder Bowl	60384
A2	Duckbill Filter Assembly (For Powder Chamber)	60367
B11	J-Nozzle Fitting for Powder Bowl	60377
B12	O-ring for J-Nozzle Fitting	60383
B9	Threaded Filter for Chamber Housing (Metallic)	60382
A3	Foot Control (2 Position)	565138003
A4	Power Cord 120/100V (US)	554102003
	Power Cord 230/200V	78118
	Power Cord 230V (UK)	554109001
A5	Air Supply Line Assembly	63856
A6	Air Supply Line Filter Assembly	90088
	Air Supply Filter Wall Mounting Kit	90080
A7	Water Supply Line Replacement <i>Includes blue tubing, compression nut, and labels</i>	60388
A8	Replacement Water Filters (10-pack)	90158
A9	Quick Disconnect (1/4", auto shut-off)	79521
	Replacement Control Knob (Blue)	80502
	Replacement Rubber Foot	592051002
	Prophy-Jet Air Polishing Nozzle Insert (3 pack)	7760204
A10	Prophy-Jet Air Polishing Nozzle Insert (single)	63740
A11	Prophy-Jet Nozzle Cleaning Tool	776030199
A12	Replacement Handpiece Receptacle (Clear)	776030268
A13	O-ring Replacement Kit, Cavitron Inserts (Green, 12-pack)	62605

The following repair parts are available to authorized service centers only:

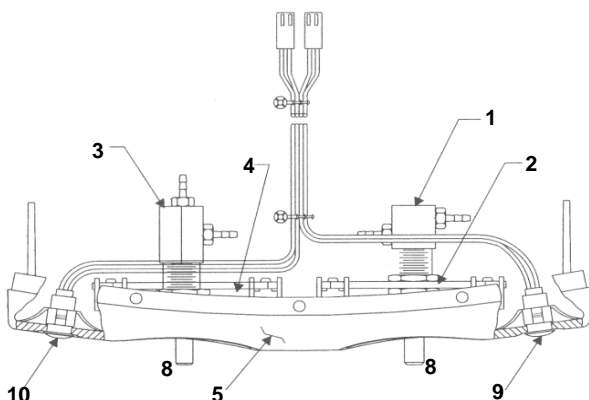
REF.	DESCRIPTION	PART #
<b>AIR / POWDER DELIVERY:</b>		
B	POWDER BOWL ASSEMBLY, COMPLETE	80879
B3	BOWL MOUNT	80666
B6	BOWL CHAMBER HOUSING	80678
	BENT TUBE, POWDER CHAMBER	80672
B4	DEFLECTOR	80888
B8	"Y" PLUG RESTRICTOR	623069001
B13	KNURLED NUT	60379
C1	AIR VALVE AND MANIFOLD ASSY	80877
D1	AIR NEEDLE VALVE	629180003
D2	BRACKET, AIR NEEDLE VALVE	80894
D8	COUPLER, WATER AND AIR VALVES	80740
C2	PINCH VALVE	776030243
C3	"Y" CONNECTOR	60245
	BARB FITTING 1/16	61679
	FIBER WASHER	60386
C4	RED PINCH TUBING	61631
	CLEAR TUBING	61693
	ORANGE TUBING	625036011
	GREY TUBING	625036010

# Cavitron® Prophy-JET® - Model G122 (continued)

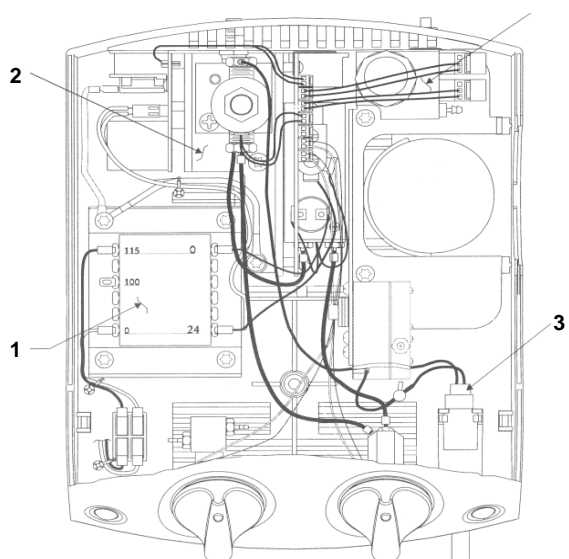
## C: Water / Air Assemblies



## D: Front Panel Assembly



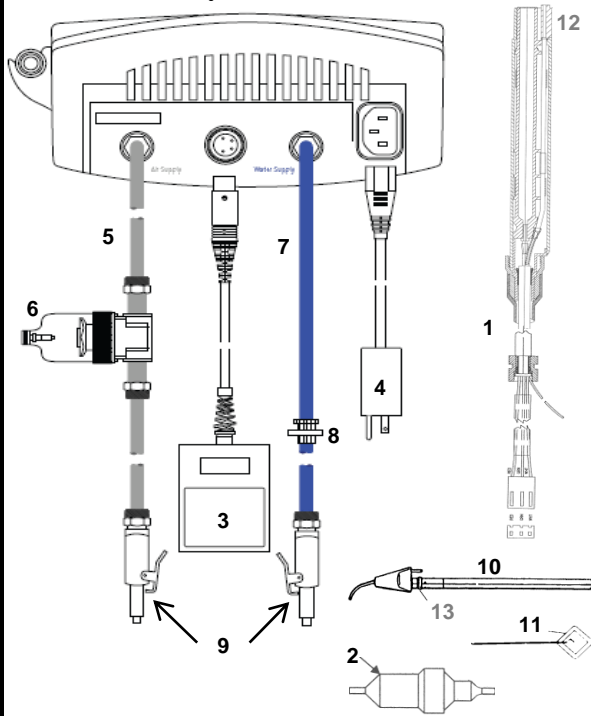
## E: Generator Assembly



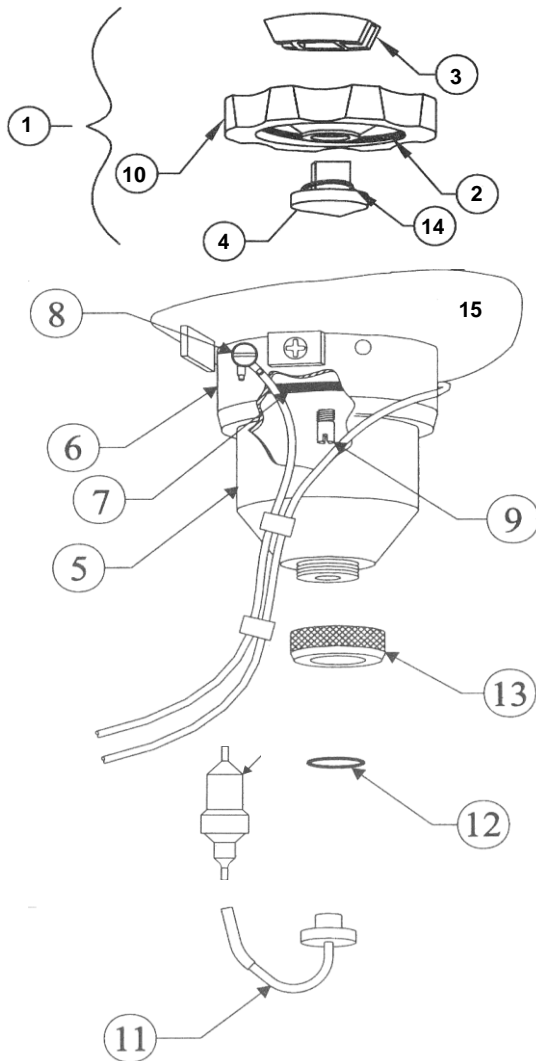
REF.	DESCRIPTION	PART #
<b>WATER DELIVERY:</b>		
D3	WATER NEEDLE VALVE	629202001
D4	BRACKET, WATER NEEDLE VALVE	80600
D8	COUPLER, WATER AND AIR VALVES	80740
C5	WATER SOLENOID VALVE	571070002
C6	WATER SOLENOID BLOCK	90087
C7	VITON TUBING, BLACK (SOLD PER FOOT)	625072001
C8	BLUE TUBING	61282
	ELBOW FITTING	63827
	COMPRESSION FITTING	6390065
	NUT/SLEEVE	60389
	MALE CONNECTOR, 1/4ODX10/32T (blue washer)	60408
	BRASS SLEEVE	80626
<b>ELECTRICAL:</b>		
E1	TRANSFORMER, 100 / 115 VOLT	60491
	TRANSFORMER, 200 / 230 VOLT	570253001
E2	HEATSINK ASSEMBLY	80881
C9	POWER PCB ASSEMBLY	80589
C10	INTERCONNECT PCB	80865
	SHIELD, PCB	90068
C11	WATER HEATER ASSEMBLY	776030172
D9	GREEN LED INDICATOR W/ LEADS	566082003
D10	YELLOW LED INDICATOR W/ LEADS	566082004
	WIRE HARNESS ASSEMBLY, POWER	80607
	WIRE HARNESS ASSEMBLY, POWER	80608
	WIRE ASSEMBLY, BLACK	80609
	WIRE ASSEMBLY, WHITE	80610
	WIRE ASSEMBLY, HEATER	81019
	WIRE ASSEMBLY, GROUNDING	80730
	ROCKER SWITCH	565179001
	FUSE, 1.25A 250V	557034018
	FUSE, .063A 250V	60537
	GROUND WIRE ASSEMBLY	80729
	WASHER	62976
	SCREW, #8X5/8L AB TPH ZPS	586176001
	SCREW, HEX HD.6-32 X 1/4LG	586035162
<b>CABINET HOUSING:</b>		
D5	FRONT PANEL ASSEMBLY, COMPLETE	80885
	FRONT PANEL, DECORATED	80890
	TOP COVER	80665
	HANDPIECE HOLDER	80595
	MOLDED BASE	80878
	CAUTION LABEL	80618
	CABINET SCREW-SMALL	586172002
	CABINET SCREW-LARGE	586172004
	CHASSIS SCREW	586172003
E3	HANDPIECE RECEPTACLE, FEMALE	80897
	CONNECTOR SLEEVE FOR HP RECEPTACLE	80899
	FILTER BRACKET	80683
	Instruction Manual	80900
	Service Manual	90086

# Cavitron® JET with SPS™ - Model G120

## A: Accessory Items



## B: Powder Chamber



## Common Parts:

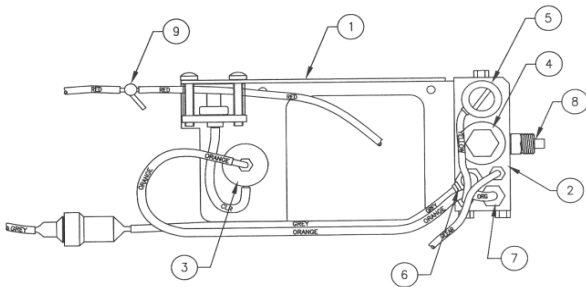
REF.	DESCRIPTION	PART #
B1	Replacement Powder Fill Cap	80743
B2	O-ring for Fill Cap	628052001
B5	Replacement Powder Bowl	81174
B7	O-ring for Powder Bowl	60384
A2	Duckbill Filter Assembly (For Powder Chamber)	60367
B11	J-Nozzle Fitting for Powder Bowl	60377
B12	O-ring for J-Nozzle Fitting	60383
B9	Threaded Filter for Chamber Housing (Metallic)	60382
A3	Foot Control w/ Boost Feature	565138002
A4	Power Cord 120/100V (US)	554102003
	Power Cord 230/200V	78118
	Power Cord 230V (UK)	554109001
A5	Air Supply Line Assembly	63856
A6	Air Supply Line Filter Assembly	90088
	Air Supply Filter Wall Mounting Kit	90080
A7	Water Supply Line Replacement <i>Includes blue tubing, compression nut, and labels</i>	60388
	Water Filter Installation Kit (w/ Fittings)	90172
A8	Replacement Water Filters (10-pack)	90158
A9	Quick Disconnect (1/4", auto shut-off)	79521
	Replacement Control Knob (Blue)	80502
	Replacement Rubber Foot	592051002
	Prophy-Jet Air Polishing Nozzle Insert (3 pack)	7760204
A10	Prophy-Jet Air Polishing Nozzle Insert (single)	63740
A11	Prophy-Jet Nozzle Cleaning Tool	776030199
A12	Replacement Handpiece Receptacle (Clear)	776030268
	O-ring Replacement Kit, Cavitron Inserts (Black,12-pack)	62351
A13	O-ring Replacement Kit, Cavitron Inserts (Green,12-pack)	62605

The following repair parts are available to authorized service centers only:

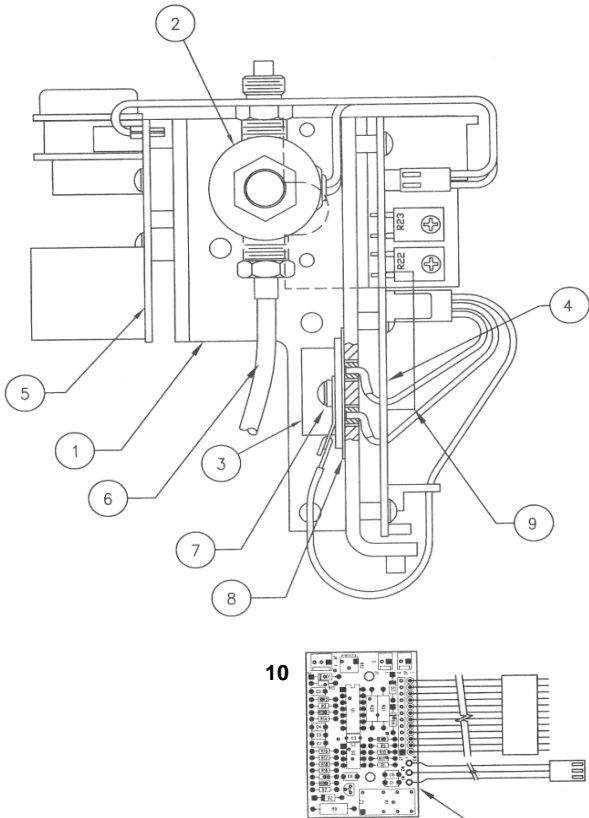
REF.	DESCRIPTION	PART #
A1	Handpiece / Cable Assembly	80700
	Replacement Pad for Foot Control	62423
<b>AIR / POWDER DELIVERY:</b>		
B	Powder Bowl Assembly Complete (Current 2-Tube Config.)	80973
	Powder Bowl Assembly Complete (Older Config.)	80682
B6	Bowl Chamber Housing	80678
B3	Pointer for Fill Cap	80677
B4	Deflector for Fill Cap	80676
B14	O-ring for Deflector	628052002
B15	Bowl Mount	80708
	Filter Bracket	80683
	Screw for Filter Bracket	586035162
B13	Knurled Nut	60379
B8	"Y" Plug Restrictor	623069001
	Bowl Clip	80715
C	Chassis Assembly Complete	80687
C2	Air Valve and Manifold Assembly (Current 2-Tube Config.)	80995
	Air Valve and Manifold Assembly (Older Config.)	80686
C1	Mounting Plate-Chassis	80670
C3	Pinch Solenoid Valve Assembly	629194002
	Plastic Barbed Fitting	6390253
	Barbed Fitting 1/8"	61679
	Fiber Washer	60386
	Pinch Cylinder	80688
	Dynamic Seal	26109
	Piston Disc	26105
C9	"Y" Connector	60245
C4	Air Solenoid Valve, 2-Way	629198001
C5	Air Regulator Valve	60501
C6	Air Needle Valve	60450
C7	Check Valve	63858
	Fitting Plug	80667
	Connector	60408

# Cavitron® JET with SPS™ - Model G120 (continued)

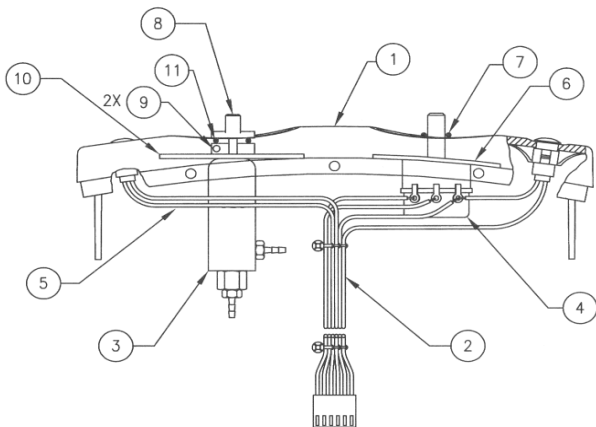
## C: Air Chassis



## D: Water Chassis / Electrical



## E: Front Panel Assembly

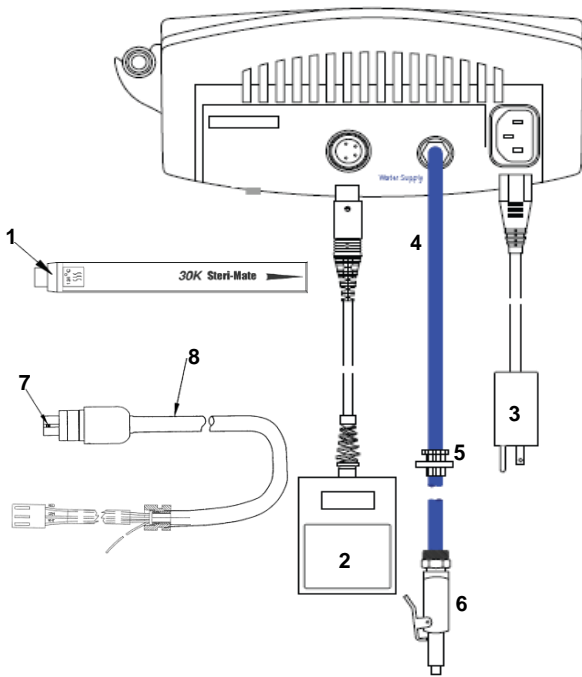


REF.	DESCRIPTION	PART #
	Swivel Fitting - Needle Valve to Manifold Block	623062001
	Vinyl Cap (green)	608019001
	Red Pinch Tubing	61631
	Clear Tubing	61693
	Orange Tubing	625036011
	Grey Tubing	625036010
<b>WATER DELIVERY:</b>		
D2	Water Solenoid Valve Assembly	571070003
	Nut & Sleeve	60389
	Water Label	60276
D6	Viton Tubing (Black)	625072001
	Brass Sleeve	80626
E3	Water Regulator Valve	629195001
E8	Coupler (Water Flow Control)	80740
E11	O-ring for Coupler	62725
E9	Set Screws	586134159
	Black Sleeve	562098001
	Male Luer	621066001
	Female Luer	621065002
	Caution Label	60390
	Blue Tubing	61282
	Heatshrink Tubing	625012013
<b>ELECTRICAL:</b>		
	Transformer - 100 / 115 V	60491
	Transformer - 230V	570253001
D10	Discriminator PCB Assembly	80662
D7	Darlington Transistor	574335001
	Transistor Pad	574247004
	Rectangle Bushings	574346002
	Wire Assembly	80605
D4	Ultrasonic Oscillator PCB Assembly	80566
D9	Hybrid	80549
D5	Power Supply PCB Assembly	80589
	Fuse - 1.25A / 250V	557034018
	Fuse - .63 Amp	60537
E4	Potentiometer	80597
	LED Indicator (green)	566082001
	LED Indicator (yellow)	566082002
	Wire Assembly, Power Supply and Transformer	80730
D	Heatsink Assembly Complete (115V)	80602
	Heatsink Assembly Complete (230V)	80603
	Handpiece Interconnect PCB Assembly	80703
	Power Switch, DPST Rocker	565179001
	Bracket - Handpiece	80707
	Jumper	80699
	Ground Wire	80729
	Washer for Ground Wire	62976
	Screw for Ground Wire	586176001
	Crimp	78190
	3-Pin Connector	78191
	Spacer	61467
<b>CABINET HOUSING:</b>		
	Top Cover	80665
	Molded Base	80878
	Caution Label	80618
	Patent Label	80619
	Small Cabinet Screw	586172002
	Base screw	586172003
	Cover Screw	586172004
	Decorated Front Panel	80679
	Handpiece Holder	80595
	Directions For Use	80684
	Service Manual	80655

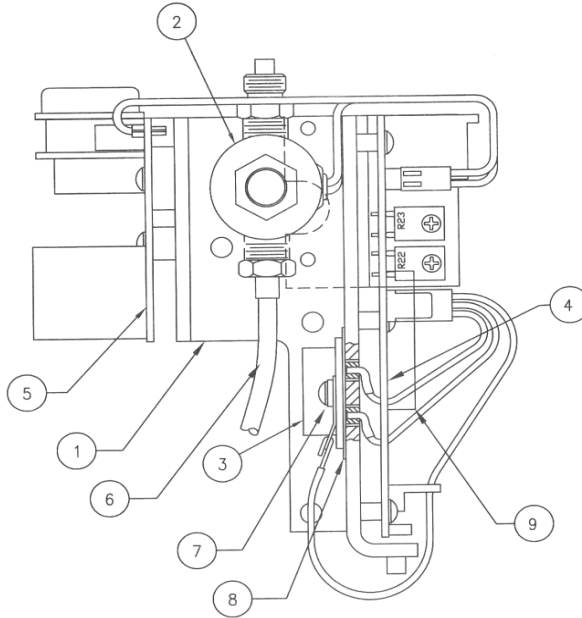


# Cavitron® SPST™ Ultrasonic Scaler - Model G119

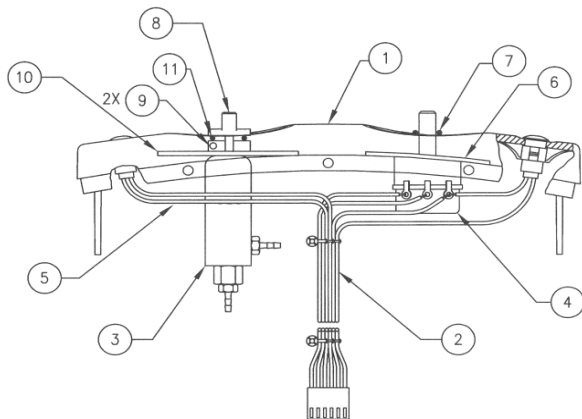
## A: Accessory Items



## B: Water Chassis / Electrical



## C: Front Panel Assembly



## Common Parts:

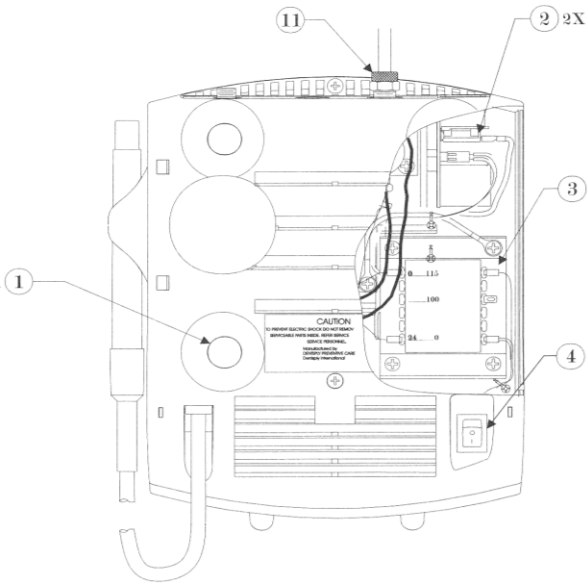
REF.	DESCRIPTION	PART #
A1	Steri-Mate Detachable Handpiece (Autoclavable)	78688
	3-Pack Steri-Mate Detachable Handpiece	78703
	Steri-Mate Comfort Grip (3-pack), Blue	8169201
	Steri-Mate Comfort Grip (3-pack), Fuschia	8169202
	Steri-Mate Comfort Grip (3-pack), Violet	8169203
A2	Foot Control w/ Boost Feature	565138002
A3	Power Cord 120/100V (US)	554102003
	Power Cord 230/200V	78118
	Power Cord 230V (UK)	554109001
A4	Water Supply Line Replacement <i>Includes blue tubing, compression nut, and labels</i>	60388
A5	Water Filter Installation Kit (w/ Fittings)	90172
A5	Replacement Water Filters (10-pack)	90158
A6	Quick Disconnect (1/4", auto shut-off)	79521
	Replacement Control Knob (Blue)	80502
	Replacement Rubber Foot	592051001
	O-ring Replacement Kit, Cavitron Inserts (Black,12-pack)	62351
	O-ring Replacement Kit, Cavitron Inserts (Green,12-pack)	62605
A7	O-ring for SteriMate / JETMate Handpiece Conn. (12-pack)	79357

The following repair parts are available to authorized service centers only:

REF.	DESCRIPTION	PART #
A8	Handpiece Cable - Swivel Feature Upgrade Kit w/ SteriMate	81274
	Handpiece Cable / Connector Assembly	81284
	Replacement Pad for Foot Control	62423
<b>WATER DELIVERY:</b>		
B2	Water Solenoid Valve Assembly	571070003
C3	Water Regulator Valve	629195001
	Barbed Fitting 1/8"	61679
	Fiber Washer	60386
	Female Luer for Water Filter	621065002
	Male Luer for Water Filter	621066001
	Black Sleeves	562098001
D11	Nut & Sleeve	60389
	Caution Label (water)	60390
	Water Label	60276
C8	Coupler for Water Flow Control	80740
C9	Set Screws for Coupler	586134159
	Viton Tubing (Black)	625072001
	Brass Sleeve	80626
C11	O-ring	62725
<b>ELECTRICAL:</b>		
B	Heatsink Assembly Complete	80602
D3	Transformer (100 / 115V)	60491
	Transformer (230V)	570253001
B4	Ultrasonic Oscillator PCB Assembly	80566
B9	Hybrid	80549

# Cavitron® SPST™ Ultrasonic Scaler - Model G119 (continued)

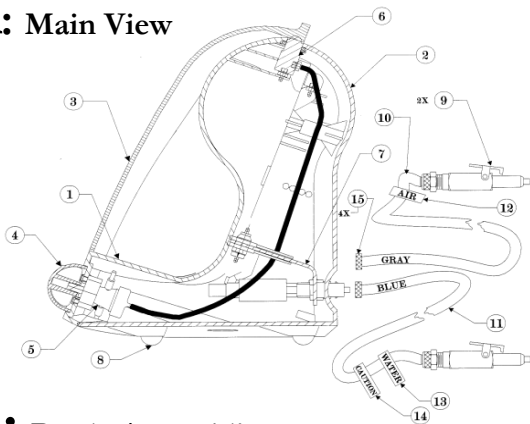
## D: Cabinet Housing



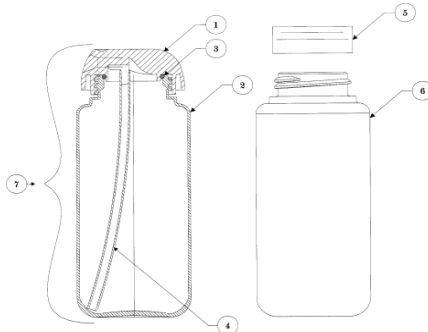
REF.	DESCRIPTION	PART #
B5	Power Supply PCB Assembly	80589
C4	Potentiometer	80597
	Nylon Spacer	61467
D4	Power Switch, DPST Rocker	565179001
D2	Fuse - 1.25A, 250V	557034018
	Fuse - .63 Amp	60537
B3	Darlington Transistor	574335001
	Darlington Wire Assembly	80605
	Transistor Pad (pink)	574247004
	Bushing Insulator	574346002
	Screw	6390264
	Heatsink	81018
	Lock Washer	588003032
	Crimp	78190
	Heatshrink Tubing	625012013
	Wire Assembly, Power Supply and Transformer	80730
	Yellow Indicator LED Assembly w/ Wire Leads	566082002
	Green Indicator LED Assembly w/ Wire Leads	566082003
<b>CABINET HOUSING:</b>		
	Top Cover	80592
	Molded Base	80593
	Front Panel Assembly Complete	80606
	Front Panel, Decorated	80615
	Caution Label	80618
	Patent Label	80619
	Small Cabinet Screw	586172002
	Base Cabinet Screw	586172003
	Cover Screw	586172004
	HP Holder	80595
	Directions For Use	80617
	Service Manual	80559

# Cavitron® DualSelect™ Dispensing System - Model G118

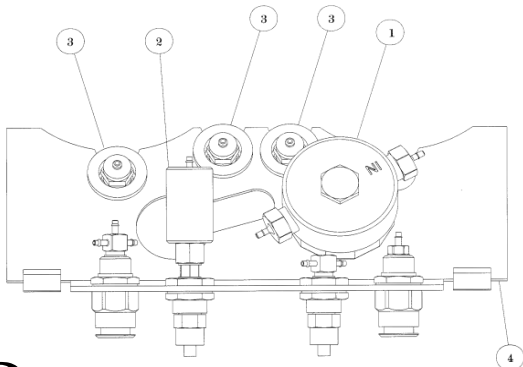
**A: Main View**



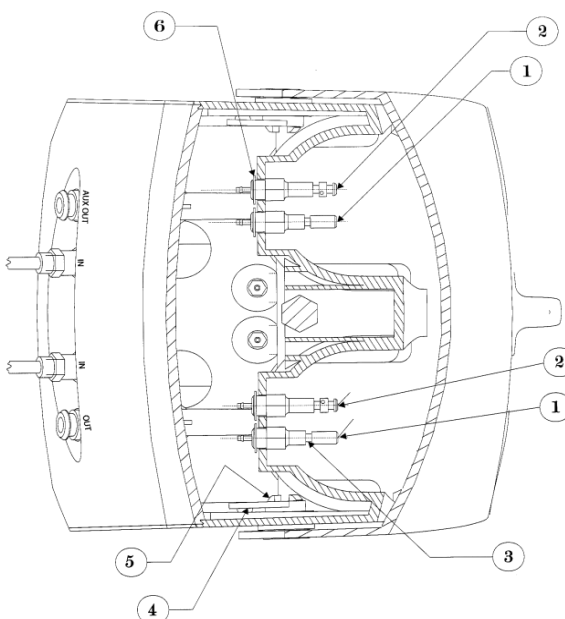
**B: Bottle Assemblies**



**C: Mounting Plate Assembly**



**D: Top View**



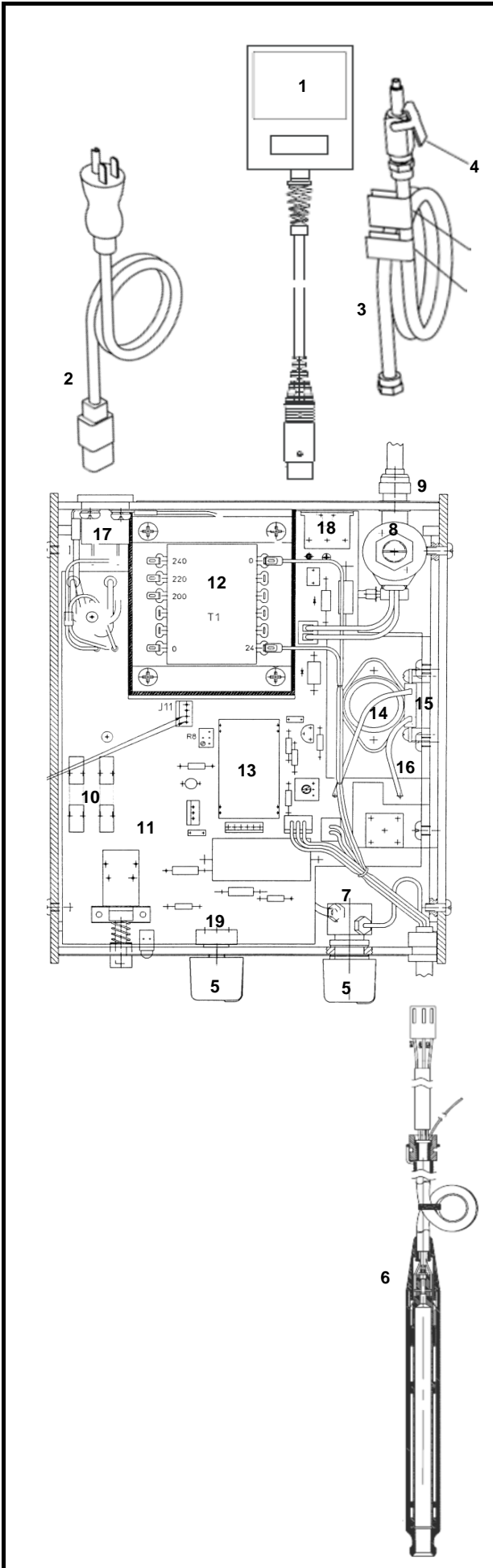
## Common Parts:

REF.	DESCRIPTION	PART #
B7	DualSelect Accessory Pack <i>Includes 2 complete replacement dispenser bottle assemblies</i>	80529
	Oris CHX Oral Rinse (Case of 12 bottles)	130030
B6	Replacement Disinfectant Bottle	80530
B1	Replacement Dispenser Bottle Cap (Blue)	80477
A3	Shield Replacement Kit (incl. right and left pivots)	80784
	Replacement O-ring Kit <i>Includes 12 coupler and 4 cap o-rings, plus installation tools</i>	80851
A10	Air Supply Line Replacement <i>Includes gray tubing, compression nut, and labels</i>	80786
A11	Water Supply Line Replacement <i>Includes blue tubing, compression nut, and labels</i>	60388
A9	Quick Disconnect (1/4", auto shut-off)	79521
A4	Replacement Control Knob (Blue)	80502
A8	Replacement Rubber Foot	592051001

The following repair parts are available to authorized service centers only:

REF.	DESCRIPTION	PART #
C1	AIR REGULATOR (CURRENT CONFIG.)	629196001
	AIR REGULATOR (OLDER CONFIG.)	629184001
C2	AIR PILOT VALVE	629197001
A5	SELECTOR VALVE	80785
A6	SAFETY VALVE	629186001
	SAFETY PLATE	80510
D1, 2	COUPLER (AIR / IRRIGANT) - 1/16" BARB	627030001
	<i>*NOTE: All four couplings are identical in current config. #627029001 has been discontinued.</i>	
D3	COUPLER O'RING	628051001
	O'RING GREASE LUBRICANT, 1.2 OZ. TUBE	518086001
D6	RETAINING RING-COUPLER	596017001
C3	CHECK VALVE UPGRADE KIT	81167
C3	HIGH FLOW CHECK VALVE	629211001
	GROMMET	592053001
	4-PORT FITTING	623057001
	MALE CONNECTOR	60408
	QD SHUTOFF FITTING	623059001
	CLEAR TUBING	61693
	BLUE TUBING	625075001
B4	SILICON TUBING, BOTTLES	80048-7
	3 PORT FITTING	623064002
	REDUCER, BARB FITTING	621068001
	HOSE CLAMP	61281
	BARBED FITTING	61679
	3 BARB FITTING	623064001
	FIBER WASHER	60386
A15	NUT & SLEEVE	60389
A14	CAUTION LABEL	60390
A12	AIR LABEL	60275
A13	WATER LABEL	60276
A1	MAIN HOUSING	80543
A2	COVER (REAR-BOTTOM)	80542
	CABINET SCREWS	586172003
B3	CAP O'RING	628031009

# Cavitron® BOBCAT® 25 KHz - Model G115



## Common Parts:

REF.	DESCRIPTION	PART #
1	Foot Control	77885
	Replacement Top Cover w/ Handpiece Holder	77802
2	* Detachable Power Cord 120/100V (US)	554102003
	* Detachable Power Cord 230/200V	78118
	* Detachable Power Cord 230V (UK)	554109001
10	Replacement Fuse (110/115V Models)	60485
	Replacement Fuse (220/240V Models)	60537
3	Water Supply Line Replacement <i>Includes blue tubing, compression nut, and labels</i>	60388
4	Quick Disconnect (1/4", auto shut-off)	79521
5	Replacement Control Knob (Power or Lavage)	77803
	Replacement Rubber Foot	62405
	O-ring Replacement Kit, Cavitron Inserts (Black,12-pack)	62351
	O-ring Replacement Kit, Cavitron Inserts (Green,12-pack)	62605

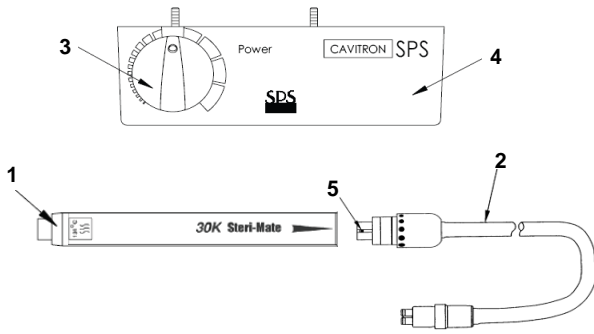
\* NOTE: The detachable power cord feature was not available in Bobcat models manufactured prior to 1997. Please contact DENTSPLY Technical Support at 1-800-989-8826 for assistance with older configurations of the Bobcat system.

The following repair parts are available to authorized service centers only:

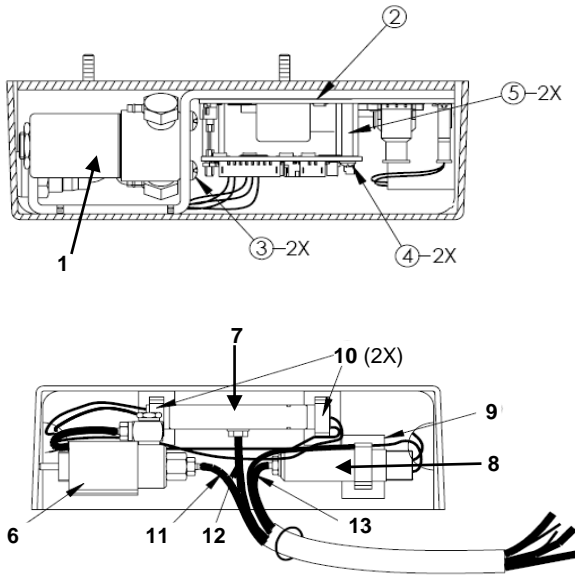
REF.	DESCRIPTION	PART #
6	Handpiece Assembly	77800
7	Water Needle Valve, Flow Control	629180002
	Barbed Fitting (silver)	61679
	Barbed Fitting (brass)	37276
	Fiber Washer	60386
8	Water Solenoid Valve	60470
	Elbow Fitting Assembly	63827
	Compression Fitting, 1/4"	6390065
9	Nut & Sleeve	60389
	Caution Label (water supply hose)	60390
	"Water" Label	60276
	Blue Tubing	61282
11	* PCB and Heatsink Assembly	80192
12	Transformer (110 / 115V)	60491
	Transformer (215 / 230V)	574253001
13	Hybrid	776030106
14	Darlington Power Transistor	574335001
	Insulator Pad	61350
15	Resistor, .5 Ohm Power	62472
16	Heatsink	80196
	Washer	62970
	Terminal Crimp	60307
17	* AC Power Receptacle (PCB Mount)	77834
18	Footswitch Receptacle (PCB Mount)	77764
	3-pin Connector	63462
	Insulator Bushing	561025002
19	Potentiometer	77768
	Cover	78180
	Cabinet Screw	62852
	Handpiece Holder	776030149
	Screw for Handpiece Holder	62534
	Replacement Pad, Foot Control	62423
	Directions For Use	N / A
	Service Manual	77978

# Cavitron® SPS™ Model G98a - Surface Mount Ultrasonic Scaler

## A: Accessory Items



## B: Module Assembly



## Common Parts:

REF.	DESCRIPTION	PART #
A1	Steri-Mate Detachable Handpiece (Autoclavable)	78688
	3-Pack Steri-Mate Detachable Handpiece	78703
	Steri-Mate Comfort Grip (3-pack), Blue	8169201
	Steri-Mate Comfort Grip (3-pack), Fuschia	8169202
	Steri-Mate Comfort Grip (3-pack), Violet	8169203
A2	Handpiece Cable w/ Water Flow Control & Swivel - 4 Ft., Surf	81279
A2	Handpiece Cable w/ Water Flow Control & Swivel - 6.5 Ft., Blk	81277
A2	Handpiece Cable w/ Water Flow Control & Swivel - 11 Ft., Surf	8127901
A3	Replacement Control Knob (Blue)	80502
A4	Cover, Decorated	80843
	O-ring Replacement Kit, Cavitron Inserts (Black,12-pack)	62351
	O-ring Replacement Kit, Cavitron Inserts (Green,12-pack)	62605
A5	O-ring for SteriMate / JETMate Handpiece Conn. (12-pack)	79357
	Installation Kit (Qualified Service Technicians Only)	80918

The following repair parts are available to authorized service centers only:

REF.	DESCRIPTION	PART #
B1	Water Solenoid Valve Assembly (w/ Fittings)	79924
B6	Water Regulator Valve Assembly (w/ Fittings)	629195002
	Universal SPS Control PCB Assembly	81020-3
B2	Power Drive PCB Assembly	81101
B7	Air / Elec. Control Cable Assembly	80949
B8	Air / Elec. Power Cable Assembly	80950
	Handpiece Cable Connector / Harness	80951
B2	Insulating Pad, Pink	574247007
	Screw, Cover	586037005
B3	Screw, Solenoid	6297501
B4	Screw, PC Board Mounting	62852
B5	Standoff, Hex PC Board Mounting	594002020
B10	Clip, Dual Air Switch (small)	776030230
B9	Clip, Air Switch (large)	63770
B6	Clip, Water Regulator	562096001
B11	Tubing, Red .062" ID (Sold Per Foot)	61631
B12	Tubing, Orange .062" ID (Sold Per Foot)	625036011
B13	Tubing, Yellow .062" ID (Sold Per Foot)	625036012
	Directions For Use	80761
	Service Manual	80839
	Installation Instructions	80764

# WARRANTIES- Cavitron, Bellissima and Professional Products

## Full 2 Year Warranty

The Cavitron® Ultrasonic Scalers, air polishing and combination units and handpieces listed below are designed for use in a dental operator, and this warranty is not applicable to other uses. These units are warranted against defects arising from faulty materials or workmanship for two (2) years from date of purchase. Parts will be repaired or replaced at our discretion. The units must be installed and operated in accordance with DENTSPLY written instructions furnished with the units.

Cavitron® Integrated Systems (G98A)  
Cavitron® JET™ Plus  
Cavitron® Plus  
Cavitron® Select SPS™ Ultrasonic Scaler  
Cavitron® PROPHY-JET®

\*NOTE: The Steri-Mate® and JET-Mate Detachable Sterilizable Handpieces (included in some Cavitron Systems) are warranted for 6 months from date of purchase.

## Full 1 Year Warranty

The DENTSPLY® Cavitron® Select, SPS Model G98A, Bobcat® Pro Ultrasonic Scaler and DualSelect™ Dispensing System are designed for use in a dental operator, and this warranty is not applicable to other uses. They are warranted against defects arising from faulty materials or workmanship for one (1) year from date of installation. Parts will be repaired or replaced at our discretion.

Cavitron® Select Ultrasonic Scaler  
Bobcat® Pro Ultrasonic Scaler  
DualSelect™ Dispensing System  
Select™ Reservoir

## Limited 90 Day Warranty

Product inserts and accessories are warranted for ninety (90) days against defects arising from faulty materials or workmanship. Parts will be repaired or replaced at our discretion.

30K™ FSI® Slimline® Inserts (FSI®•SLI®)  
25K FSI® Slimline® Inserts (FSI®•SLI®)  
30K™ Focused Spray® Inserts (FSI®)  
25K Focused Spray® Inserts (FSI®)  
30K™ Slimline® Inserts (SLI®)  
25K Slimline® Inserts (SLI®)  
30K™ Thru Flow® Inserts (TFI®)  
25K Thru Flow® Inserts (TFI®)  
25K Classic "P" Inserts

30K™ Bellissima™ FSI® Slimline (FSI® - SLI®)  
30K™ Bellissima™ Focused Spray® Inserts (FSI®)  
30K™ Cavitron SofTip™ Ultrasonic Implant Insert  
30K™ PEC ENDOSONIC® Insert  
25K PEC-2 ENDOSONIC® Insert  
Cavitron™ JET Air Polishing Insert Nozzle  
PROPHY-JET® Air Polishing Nozzle  
DELTON® DDS Applicator  
Parts & Accessories

## All PC boards that are returned for credit must be in an anti-static bag

## Cavitron® Product Warranty Statement

DENTSPLY Professional Cavitron® products are designed expressly for dental use, and this warranty is not applicable to other uses. The products are warranted against defects arising from faulty materials or workmanship from date of purchase for the period stated in the Directions for Use manual furnished with the product. Parts will be repaired or replaced at the discretion of DENTSPLY Professional.

## Cavitron® Product Warranty Terms

This warranty extends to Cavitron products purchased from an authorized DENTSPLY distributor, and only to the original purchaser. The Warranty is subject to the following conditions:

1. The product registration card must be completed and returned to DENTSPLY within four (4) weeks of date of purchase.
2. Any installation or routine servicing of Cavitron product must be performed by DENTSPLY Professional's Cavitron Care<sup>SM</sup> Service or authorized DENTSPLY distributor service personnel.
3. Any warranty repair must be performed by DENTSPLY Professional's Cavitron Care<sup>SM</sup> Service.
4. Cavitron Systems and handpieces must not be subjected to abuse or improper installation or operation.
5. Cavitron Ultrasonic Inserts and air polishing nozzles are subject to these additional terms:
  - a. Inserts and air polishing nozzles must not be subjected to abuse, improper use or application, including, but not limited to, bending and reshaping.
  - b. Inserts and air polishing nozzles must not be subjected to improper cleaning, disinfection or sterilization procedures.
  - c. Warranty will not be honored for inserts used in units other than Cavitron units.
6. The use of any inserts or air polishing nozzles other than Cavitron will void the warranty on Cavitron Ultrasonic Scalers and Air Polishing Systems.
7. Use of an air polishing powder other than Cavitron prophylaxis powders in the Air Polishing Prophylaxis systems will void their warranties.

THERE ARE NO WARRANTIES, EXPRESS OR IMPLIED, WHICH EXTEND BEYOND THE DESCRIPTION ON THE FACE HEREOF. DENTSPLY neither assumes, nor authorizes any person to assume for it, any other liability in connection with the sale or use of its products. DAMAGES ARE LIMITED STRICTLY TO REPAIR OR REPLACEMENT OF PARTS. DENTSPLY EXPRESSLY DISCLAIMS LIABILITY FOR INCIDENTAL AND CONSEQUENTIAL DAMAGES RESULTING FROM THE USE OF THE PRODUCTS.

Claims covered by this warranty will be honored when presented through your DENTSPLY Professional distributor within thirty (30) days from discovery of defect within the applicable warranty period.

## Worldwide Service Centers

### *U. S. A.*

DENTSPLY Professional  
Technical Service and Repair Department  
1301 Smile Way  
York, PA 17404  
Phone: (800) 347-7412

### *Deutschland*

DENTSPLY DeTrey GmbH  
De-Trey-Strasse 1  
78467 Konstanz  
Germany  
Phone: 7531 583 0

### *France*

DENTSPLY DeTrey  
17 Michael FARADAY  
78380 Montigny Le Bretonneux  
France  
Phone: (1) 30 14 77 77

### *Australia*

DENTSPLY (Australia) Pty. Ltd.  
204-206 Gipps Street  
Abbotsford, Victoria 3067  
Australia  
Phone: (3) 9417 1666  
(3) 9417 1777

### *United Kingdom*

DENTSPLY Ltd.  
Hamm Moor Lane  
Addlestone, Weybridge  
Surrey KT15 2SE  
England  
Phone: (0) 1932 853422

### *Italia*

DENTSPLY DeTrey Italia s.r.l.  
Via A. Cavaglieri, 26  
I-00173 Roma  
Italia  
Phone: (06) 723 3626

### *Canada*

DENTSPLY Canada  
161 Vinyl Court  
Woodbridge, Ontario  
L4L 4A3 Canada  
Phone: (905) 851-6060

### **Swiss Representative**

DENTSPLY DeTrey Sàrl  
Baar Office  
Oberdorfstr 11  
6342 Baar  
Switzerland

Printed in U.S.A.

---

# DENTSPLY PROFESSIONAL

# CE 0086

Manufactured by  
DENTSPLY Professional  
DENTSPLY International  
1301 Smile Way  
York, PA 17404

EU Authorized Representative  
DENTSPLY DeTrey GmbH  
De-Trey - Str. 1  
78467 Konstanz  
Germany

Distributed by  
DENTSPLY Canada  
Woodbridge, Ontario  
L4L 4A3